

**MODEL
QS 9000R**

QuickSpiff

AIR POWERED VACUUM

OPERATING AND WARNING INSTRUCTIONS

Thank you for purchasing QUICK SPIFF. When properly used QUICK SPIFF will deliver many hours of quality service. Before using QUICK SPIFF read and understand these operating and warning instructions for proper use and safety.

IMPORTANT: READ AND UNDERSTAND THESE WARNINGS

- WARNING:** 1. Wear safety goggles while operating QUICK SPIFF. particles are propelled into bag at very high speed. It is possible through continued use or abuse, the bag may develop a hole which can allow particles to escape and be projected at or near operator which can possibly cause serious eye injury.
- WARNING:** 2. Make sure bag closure slide is properly installed to prevent particles from escaping. Failure to properly close bag slide may cause particles to escape causing possible injury from flying particles.
- WARNING:** 3. Check bag and bag connection for wear or damage frequently. If bag shows wear replace immediately.
- WARNING:** 4. Do not operate QUICK SPIFF at air pressures above 125 psi.

OPERATING INSTRUCTIONS

1. Install 1/4" NPT pip thread nipple of your choice in the handle base. Use Teflon tape to prevent leaks. **DO NOT OVER TIGHTEN** or damage threads or gun may occur which is construed as abuse and is not warranted. (no more than 20 ft. lbs. of torque is recommended.)
2. Install bag slide securely by forcing slide slot over lower portion of bag welting. Slide fully over bag and center. **MAKE SURE TO CENTER BAG SLIDE ON BAG TO PREVENT AIR LEAKS.**
3. Empty dust collector bag frequently by removing and replacing bag slide. Fine dust particles may clog bag and reduce performance significantly. Keep bag clean.

RECOMMENDATION

It is highly recommended to snip one end of the clear flex hose at approximately 45 degrees, as close to the end as possible. This allows air to flow around the end of the tube while in use, increasing performance.

Part # 4089

WARRANTY REGISTRATION CARD MODEL 9000R

Please return this warranty card for warranty and product update registration.

Purchased from _____

Purchaser _____

Address _____

City _____ State _____ Zip _____

The Quick Spiff you have purchased is warranted to be free of defects in material and workmanship under normal use for a period of one year from user purchase.

Any Quick Spiff or component claimed to be defective during warranty period must be returned to Zendex Tool Corp.; transportation charges prepaid. the product must be properly tagged, stating nature of defect, customer's name, address and date of purchase.

Any product or component determined defective by Zendex Tool Corp. due to normal use will be repaired or replaced free of charge during the warranty period and returned freight prepaid.

Warranty is void if Quick Spiff has been subjected to neglect, misuse, careless operation or if alterations have been made. The foregoing warranties are exclusive and are in lieu of all other warranties (whether written, oral, or implied) including warranty of merchantability in other respects than expressly set forth above and warranty of fitness for a particular purpose.

Acknowledged _____ Signature _____ Date _____



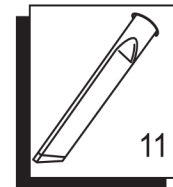
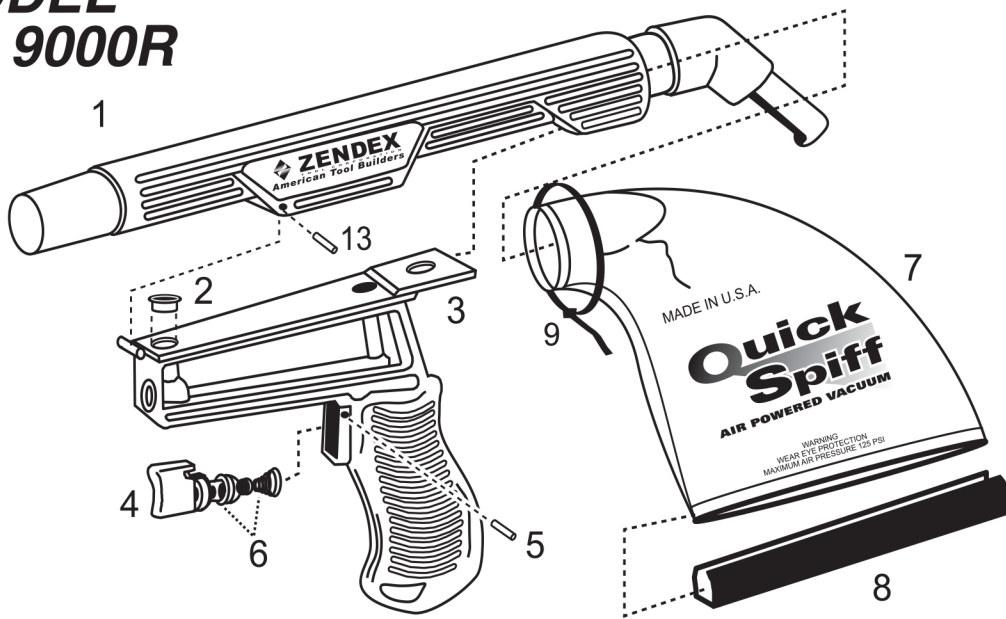
ZENDEX
TOOL CORPORATION

American Tool Builders

4 Larson Drive Danbury, CT 06810 U.S.A.

1-800-446-5257 (203) 778-0400 Fax (203) 778-0036

MODEL QS 9000R



ITEM	PART #	DESCRIPTION	ITEM	PART #	DESCRIPTION
1	QS-1R	Vacuum Tube Red	8	QS-13R	Bag Slide Red
2	QS-3	Gasket	9	QS-14	Bag Wire Tie
3	QS-4	Handle Assembly	10	QS-15	3" Dust Brush
4	007-5	Trigger Assembly	11	QS-16	9" Crevice Tool
5	2019	Roll Pin	12	QS-17	16" Flex Tube
6	007-10	O Rings	13	QS-18	Roll Pin 1/8" X 1 5/16"
7	QS-12	Vacuum Bag			

PLACE
STAMP
HERE

ZENDEXTM
TOOL CORPORATION
American Tool Builders

4 Larson Drive Danbury, CT 06810 U.S.A.